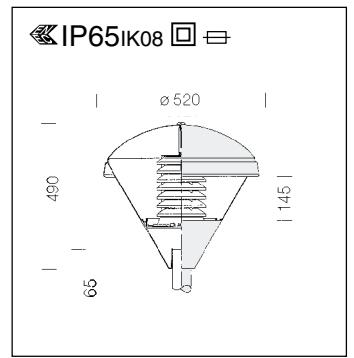
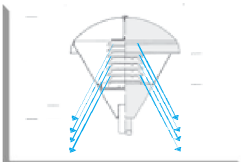
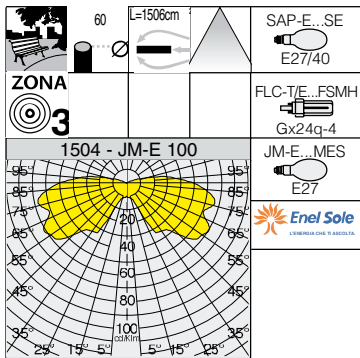


Reflector: matt aluminium louvre.
Diffuser: in vandal resistant polycarbonate and self-extinguishing V2, UV stabilized.

1204 Clima								
		CNR-F		CELL-F		CNRL-F		Lamps (Ta=25°C)
wattage	colour	weight	code	weight	code	weight	code	Kelvin - ølm - Ra
SAP-E 70*	graphite	4.70	422286-00					
SAP-E 70*	s. silver	4.70	422210-00					
SAP-E 100	graphite	5.00	422287-00					
SAP-E 100	s. silver	5.00	422211-00					
FLC 42T/E	graphite			4.10	422288-00			4000K - 3200lm - Ra 1b
JM-E 100	graphite					5.10	422289-00	3200K - 9000lm - Ra 2a

* use lamp with built-in igniter



Reflector: matt aluminium louvre.
Diffuser: in vandal resistant polycarbonate and self-extinguishing V2, UV stabilized.

1504 Clima								
		CNR-F		CELL-F		CNRL-F		Lamps (Ta=25°C)
wattage	colour	weight	code	weight	code	weight	code	Kelvin - ølm - Ra
SAP-E 70*	graphite	4.90	422341-00					
SAP-E 70*	s. silver	4.90	422215-00					
SAP-E 100	graphite	5.20	422342-00					
SAP-E 100	s. silver	5.20	422214-00					
FLC 42T/E	graphite			4.30	422343-00			4000K - 3200lm - Ra 1b
JM-E 100	graphite					5.30	422344-00	3200K - 9000lm - Ra 2a

* use lamp with built-in igniter