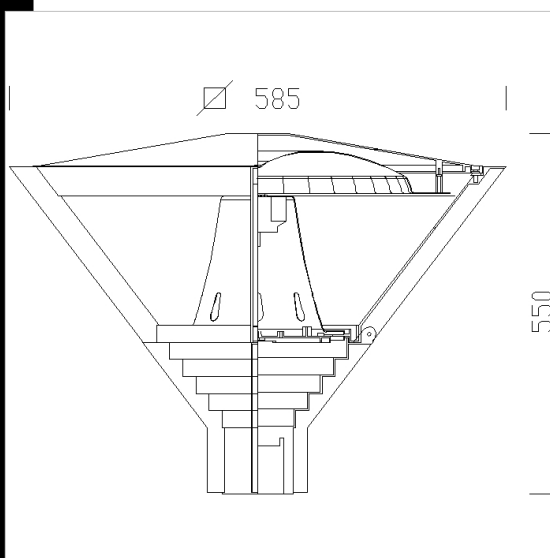


1583 Vista LED COB

Housing/cover: In die-cast aluminium.
 Diffuser: In vandal resistant and V2 self-extinguishing polycarbonate, UV-stabilized, anti-yellowing, smooth and clear.
 Painting: the standard liquid immersion coating consists of a first metal surface pre-treatment stage, a successive epoxy cathaphoresis corrosion and salt resistant coating, and a final layer of bi-component acrylic liquid UV-stabilised coating.
 Standard supply: opal glass and aluminium cover interior.
 Equipment: Fiberglass nylon cable gland Ø 1/2 gas thread (cable min Ø 9 max Ø 12). Environment-friendly gasket. Removable control gear tray with lampholder, in fiberglass nylon. Complete with socket-plug. temperature control device inside the lamp with automatic recovery. Safety diode to protect against voltage peaks pursuant to EN61547. Dedicated electronic device to protect the LED module. Standard knife switch.
 Mounting: On pole Ø 76/60 mm or arm.
 Regulations: Produced according to applicable EN60598-1 CEI 34-21 standards, IP65IK09 degree of protection according to EN 60529 standards. Insulation class II.
 Ta-20+40°C life 50.000h to 80% L80B20
 Photobiological safety class: exempt group EN62471.



Code	Gear	Kg	Lumen Output-K-CRI	WTot	Colour
422212-00	CLD CELL	10.29	LED COB-3700lm-4000K-CRI80	53 W	GRAFITE
422213-00	CLD CELL	10.33	LED COB-3700lm-4000K-CRI80	53 W	GREY9007
422212-0016	CLD CELL	10.09	LED COB-3700lm-4000K-CRI80	53 W	GRAFITE
422213-0016	CLD CELL	10.35	LED COB-3700lm-4000K-CRI80	53 W	GREY9007
422212-73	CLD CELL	10.82	LED COB AMBER-3700lm-2200K-amber-	57 W	GRAFITE
422213-73	CLD CELL	10.87	LED COB AMBER-3700lm-2200K-amber-	57 W	GREY9007
422212-39	CLD CELL	10.22	LED COB-3441lm-3000K-CRI80	60 W	GRAFITE
422213-39	CLD CELL	10.71	LED COB-3441lm-3000K-CRI80	59 W	GREY9007
422212-3916	CLD CELL	10.09	LED COB-2920lm-3000K-CRI80	59 W	GRAFITE
422213-3916	CLD CELL	10.70	LED COB-2920lm-3000K-CRI80	59 W	GREY9007



Download

- DXF 2D
- 1583 vista led.dxf
- 3DS
- disano_1583_vista.3ds
- 3DM
- disano_1583_vista.3dm

The reported luminous flux is the flux emitted by the light source with a tolerance of ± 10% compared to the indicated value. The W tot column indicates the total wattage absorbed by the system without exceeding 10% of the indicated